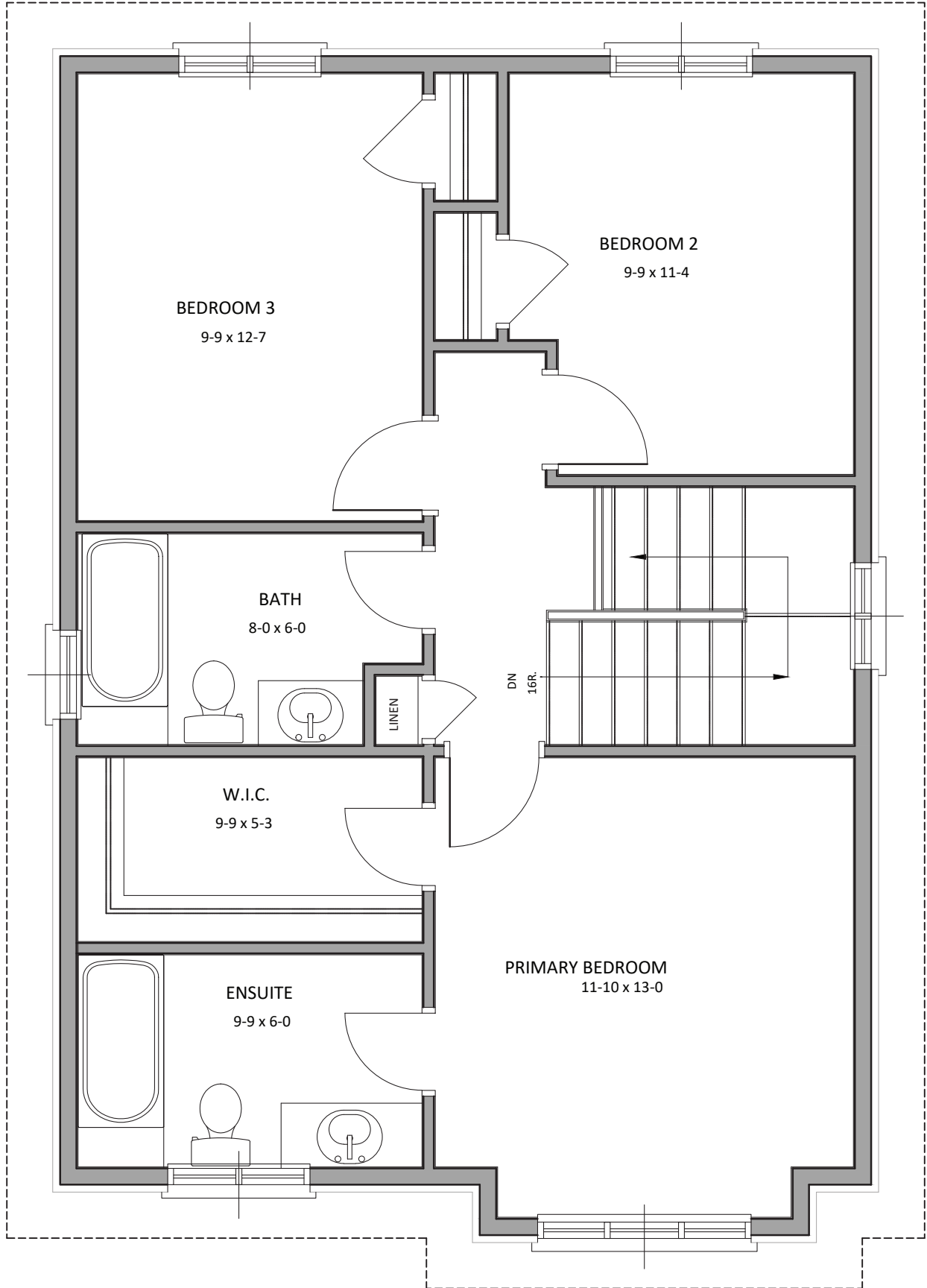


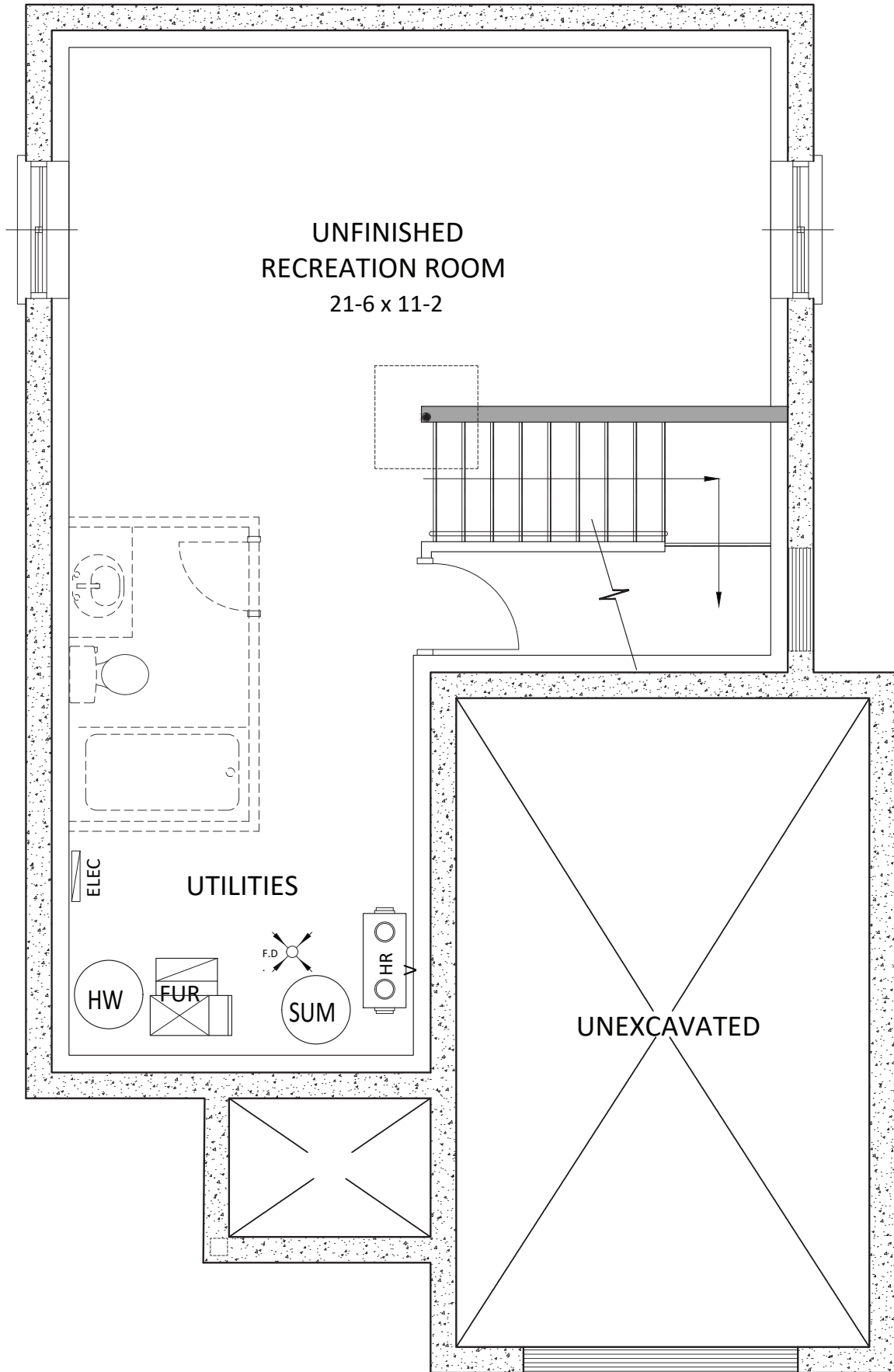
MAIN FLOOR

ELEVATION A



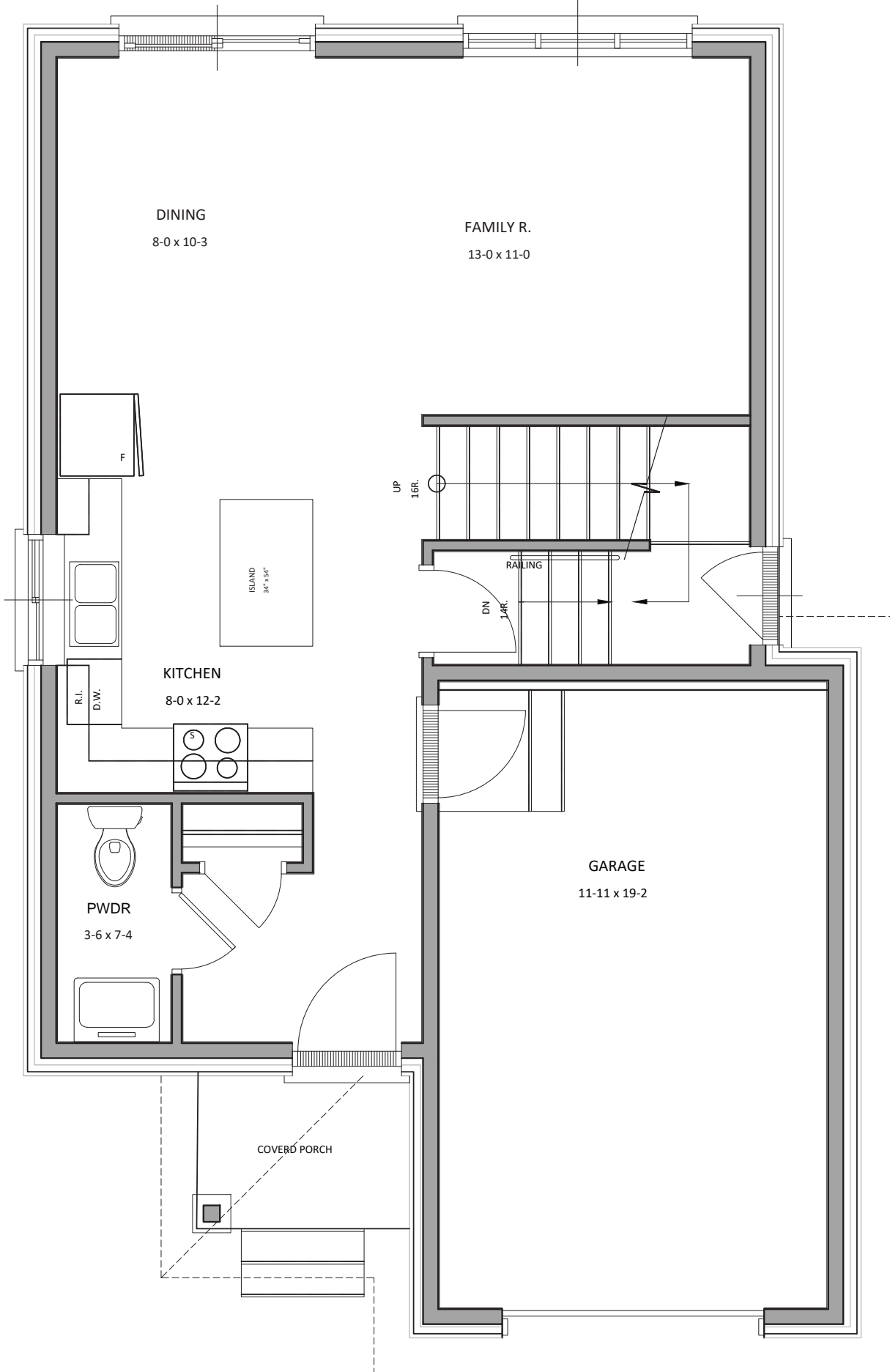
SECOND FLOOR

ELEVATION A



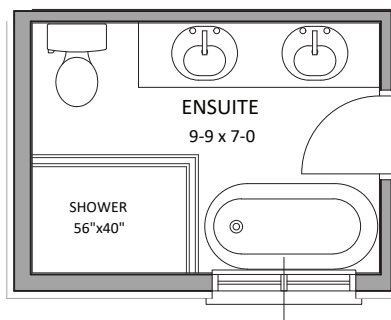
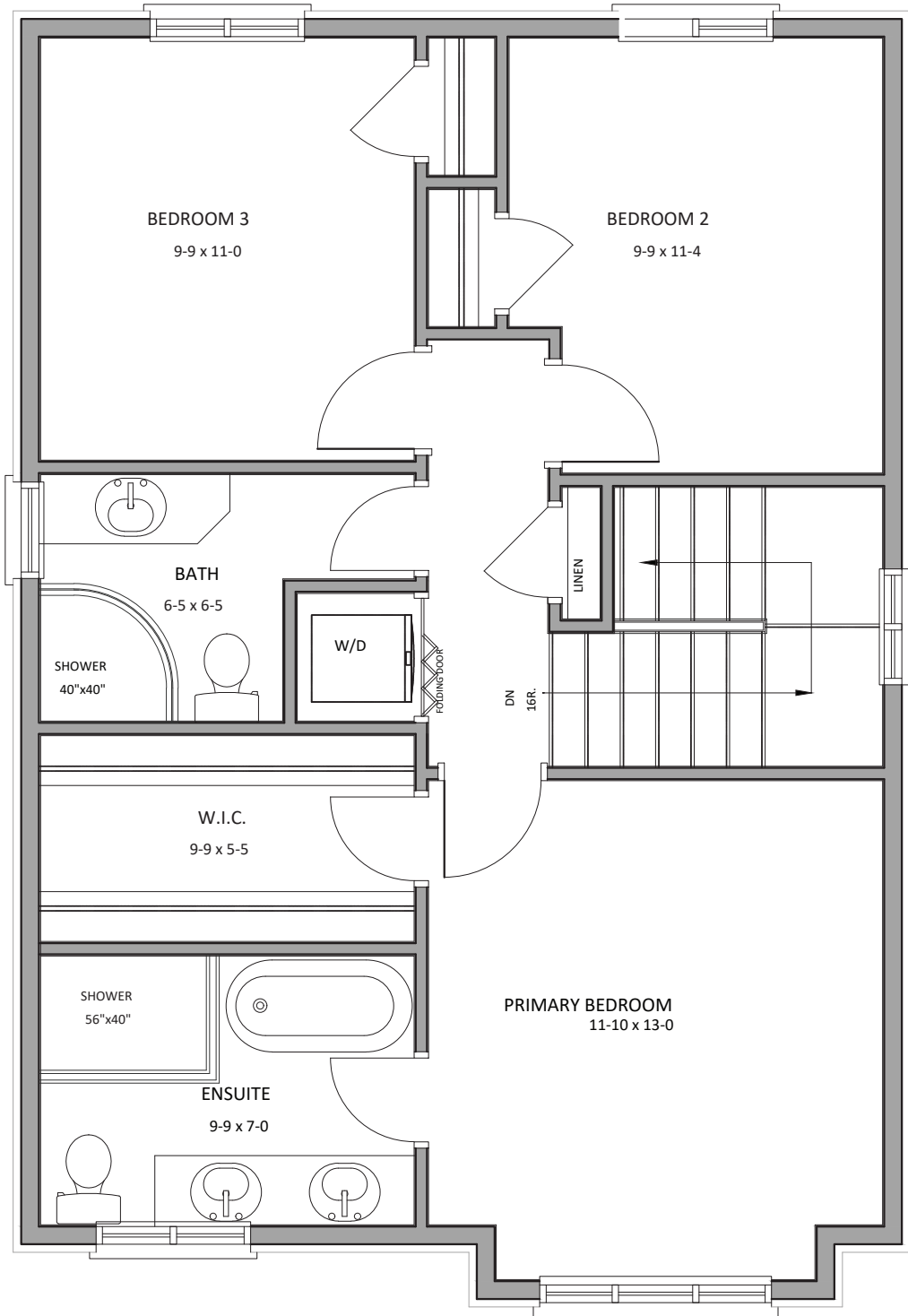
BASEMENT

ELEVATION B



MAIN FLOOR

ELEVATION B



Optional Layout
ELEVATION B

SECOND FLOOR

ELEVATION B